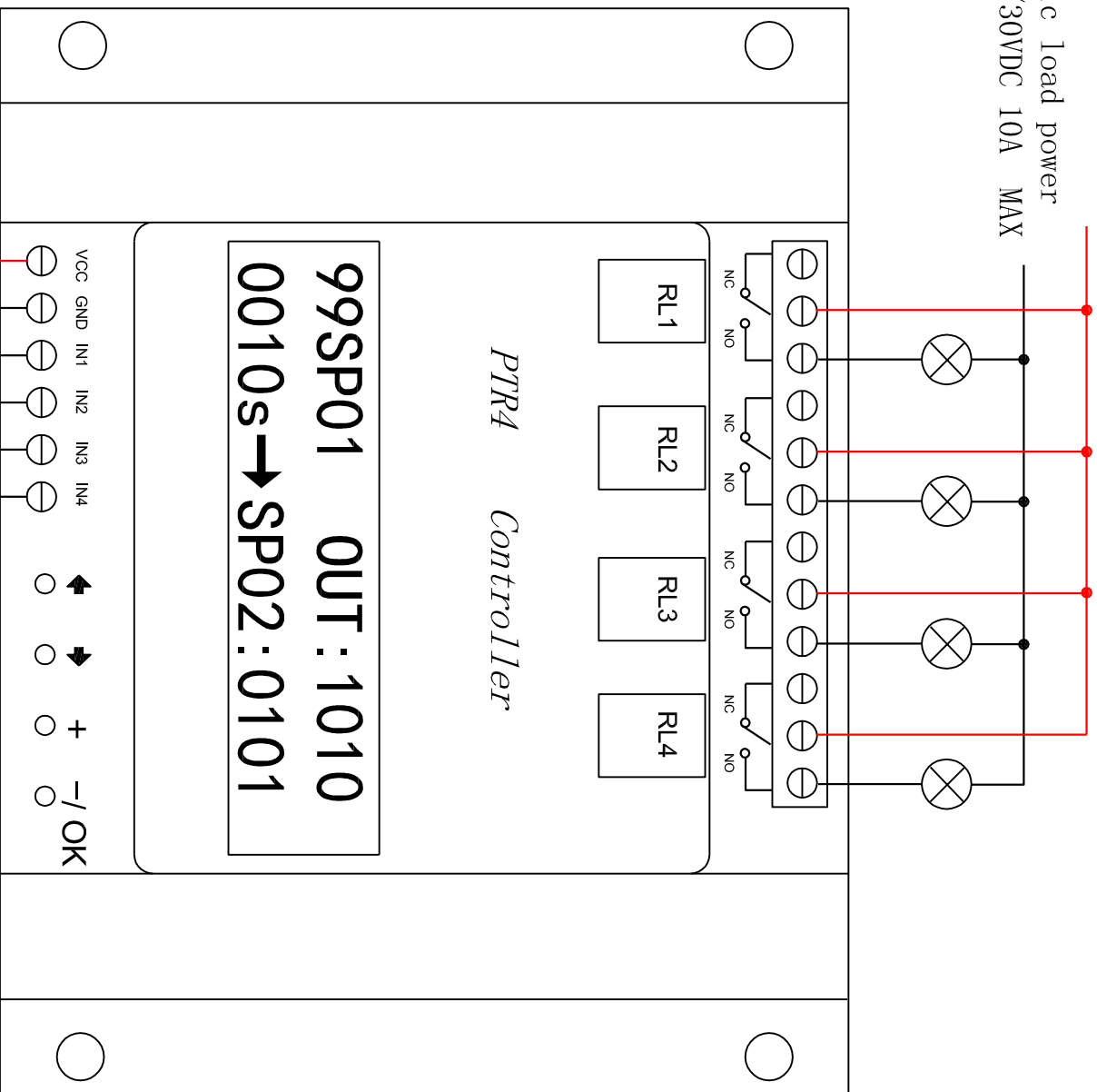


Electric load power  
277VAC/30VDC 10A MAX



Power +  
6-40VDC

Start Stop

IN1 IN2 IN3 IN4

IN2 IN3 are used to keep the set step running, or trigger the set step run, or jump to the set step.

Voltage DC 3-40V (high level), or DC0-3V (low level) can be used as an input signal